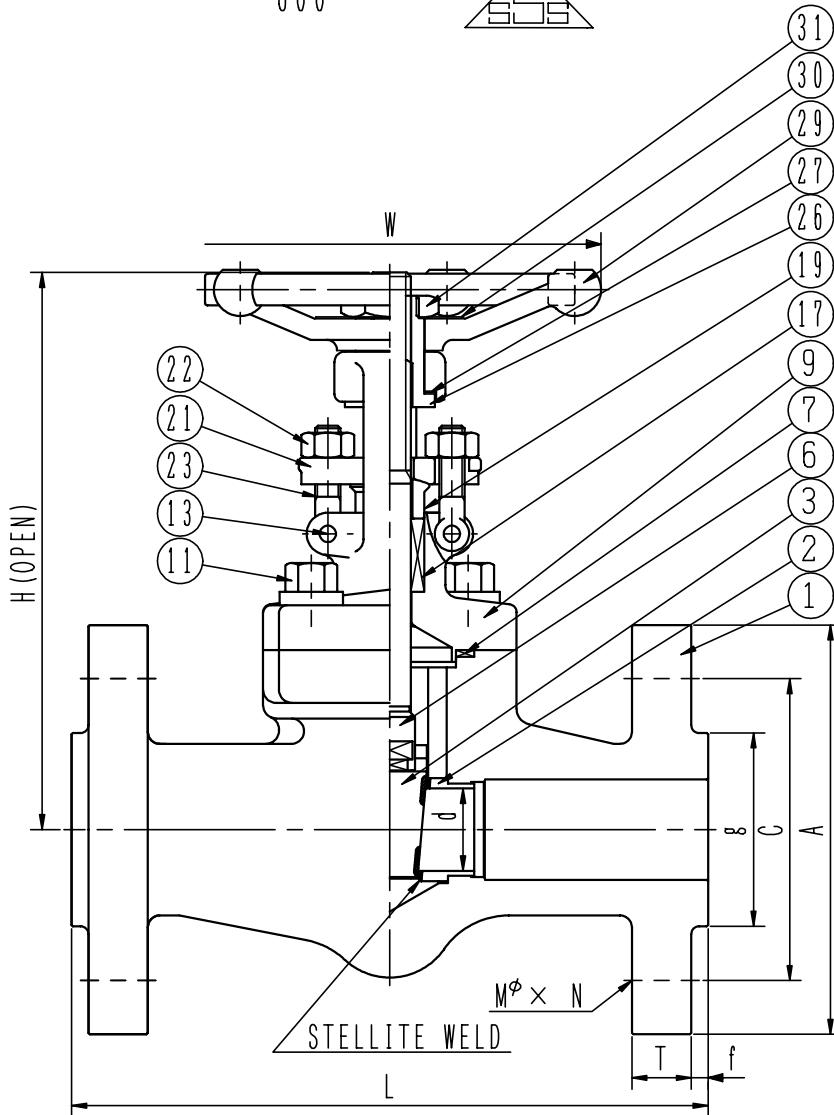


BODY MARKING
S I Z E
600



DIMENSIONS

mm

S I Z E	(A)	15A	20A	25A	40A	50A
	(B)	1/2B	3/4B	1B	1 1/2B	2B
d		13.6	13.6	19	31.2	36.5
L		165	190	216	241	292
A		95	115	125	155	165
C		66.7	82.6	88.9	114.3	127
g		34.9	42.9	50.8	73.0	92.1
T		14.3	15.9	17.5	22.3	25.4
f		7.0	7.0	7.0	7.0	7.0
Mφ x N		16 x 4	19 x 4	19 x 4	22 x 4	19 x 8
W		100	100	125	160	180
H		161	161	196	244	283
WEIGHT (Kg)		5.0	6.3	9.0	14.5	22.0

DRAWING NO.	0414EJ620-1A
FIG NO.	0414EJ

NO.	NAME OF PARTS	JIS MATERIAL	PIE -CE	REMA -RK
31	LOCK NUT	S20C	1	
30	NAME PLATE	ALUMINUM P.	1	
29	HANDWHEEL	FCMB270	1	
27	SLEEVE WASHER	SUS430	2	
26	SLEEVE	SUS403	1	NITRID-ING
23	EYE BOLT	SUS410	2	
22	EYE BOLT NUT	S45C	2	Zn PLATED
21	GLAND FLANGE	ASTM A105	1	
19	GLAND	SUS403	1	NITRID-ING
17	GLAND PACKING	P#6610+6527(2R)	1Set	
13	EYE BOLT PIN	SUS304	2	
11	BONNET BOLT	ASTM A193 B7	4	
9	BONNET	SFVC2A	1	
7	GASKET	P#2600E	1	
6	STEM	SUS410	1	
3	DISC	SUS420J2	1	STELLITE WELD
2	BODY SEATRING	SUS410	2	STELLITE WELD
1	BODY	SFVC2A	1	

TITLE			
JPI800 FORGED STEEL B.B. OS & Y GATE VALVE FLANGED END JPI 600(RF)			
WATER BODY T.P.		15.4 MPaG	AIR SEAT T.P. 0.6 MPaG
REMARK			
K.OTSUKA	K.OTSUKA	T.ANDOU	2012.10
APPD	CHKD	DRAWN	DATE



SHORITSU SEISAKUSHO CO., LTD.