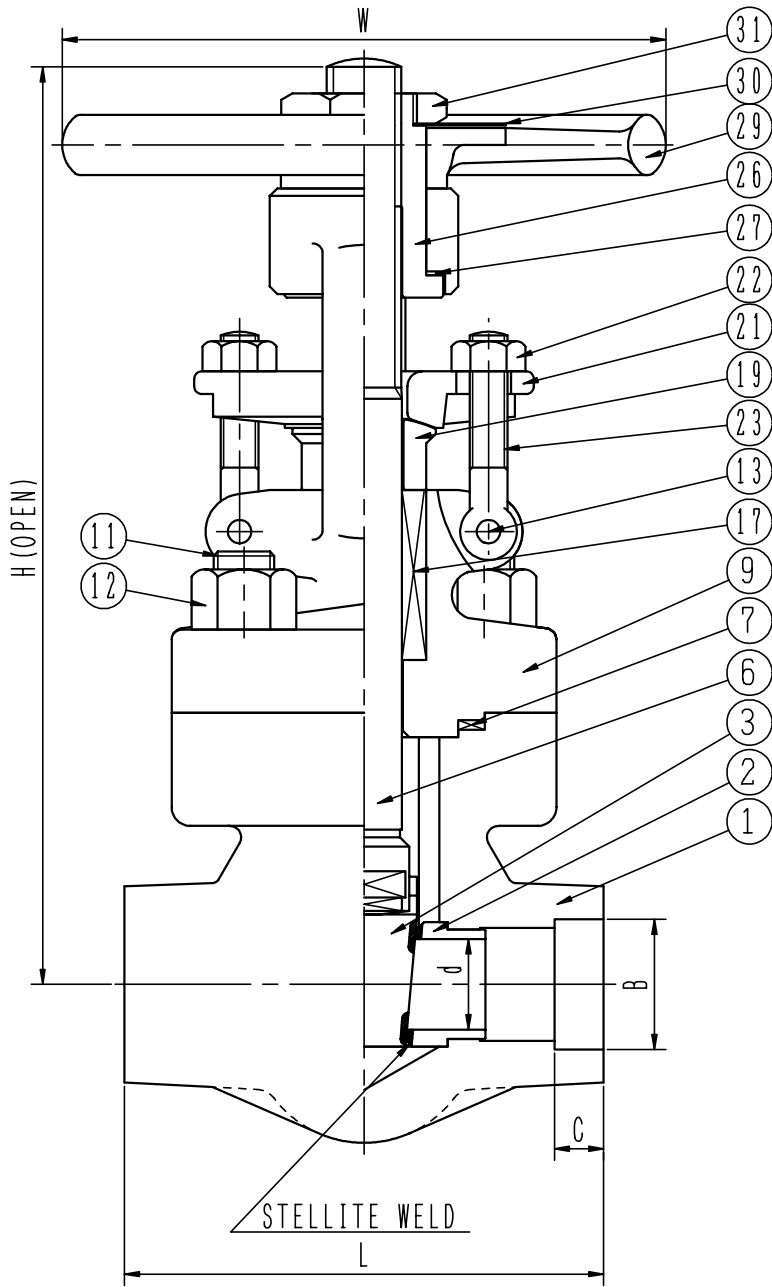


BODY MARKING
S I Z E
300



DRAWING NO.	03111J520-1A
FIG NO.	03111J

31	LOCK NUT	S20C	1	
30	NAME PLATE	ALUMINUM P.	1	
29	HANDWHEEL	FCMB270	1	
27	SLEEVE WASHER	SUS430	2	
26	SLEEVE	SUS403	1	NITRID-ING
23	EYE BOLT	SUS410	2	Zn PLATED
22	EYE BOLT NUT	S45C	2	Zn PLATED
21	GLAND FLANGE	ASTM A105	1	
19	GLAND	SUS403	1	NITRID-ING
17	GLAND PACKING	P#6315CL	1Set	
13	EYE BOLT PIN	SUS304	2	
12	BONNET BOLT NUT	ASTM A194 Gr.2H	4	
11	BONNET BOLT	ASTM A193 B7	4	
9	BONNET	SFVC2A	1	
7	GASKET	P#2600E	1	
6	STEM	SUS410	1	
3	DISC	SUS420J2	1	STELLITE WELD
2	BODY SEATRING	SUS410	2	STELLITE WELD
1	BODY	SFVC2A	1	
NO.	NAME OF PARTS	JIS MATERIAL	PIE-CE	REMA-RK

TITLE FORGED STEEL GATE VALVE B.B. OS & Y CLASS 300 SOCKET-WELDING-END			
WATER BODY T.P.	7.7 MPaG	AIR SEAT T.P.	0.6 MPaG
REMARK			
K.OTSUKA	K.OTSUKA	T.ANDOU	2012.10
APPD	CHKD	DRAWN	DATE

DIMENSIONS

S I Z E	mm								
	(A)	8A	10A	15A	20A	25A	32A	40A	50A
(B)	1/4B	3/8B	1/2B	3/4B	1B	1 1/4B	1 1/2B	2B	
d	7	10	13.6	13.6	19	31.2	31.2	43	
L	79	79	79	92	111	152	152	210	
B	14.3	17.8	22.2	27.7	34.5	43.2	49.1	61.1	
C	9.6	9.6	9.6	12.7	12.7	12.7	12.7	15.9	
W	125	125	125	125	125	160	160	250	
H	211	212	214	214	242	290	290	370	
WEIGHT (Kg)	4.0	4.0	4.0	4.3	6.2	10.0	10.0	26.0	



SHORITSU SEISAKUSHO CO., LTD.